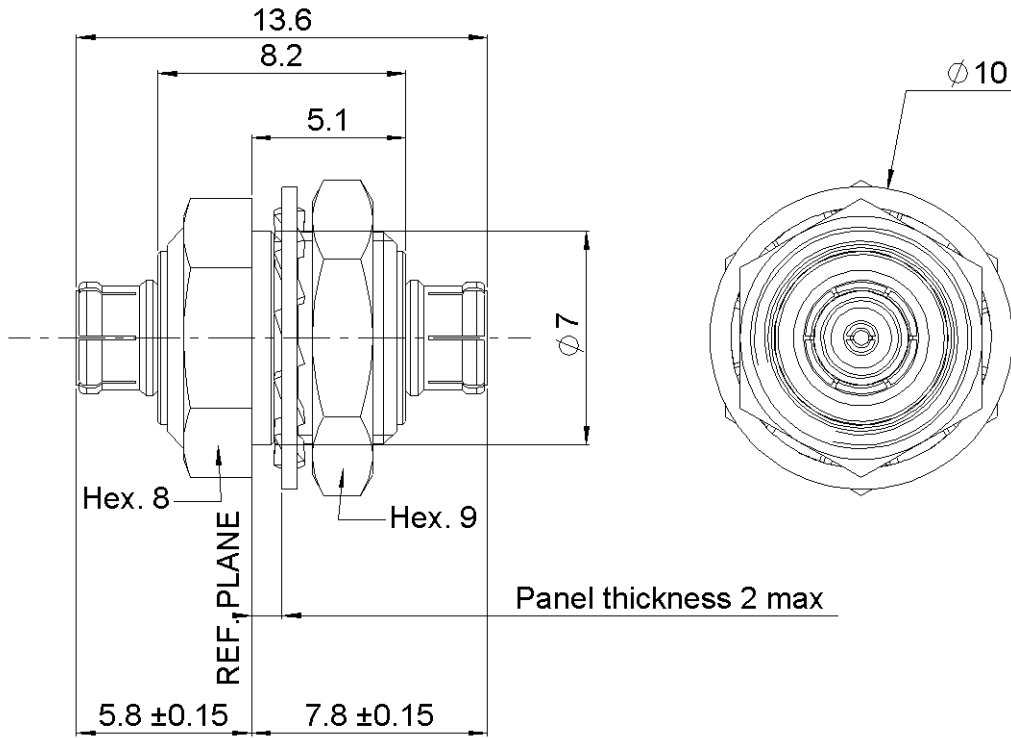


BULKHEAD ADAPTOR

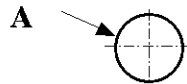
R223.720.020

MALE-MALE

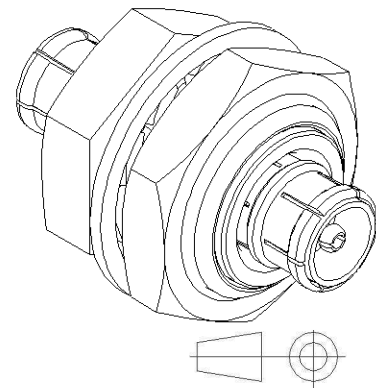
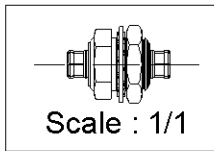
Series : MMBX



PANEL CUT OUT



A	mm	
	Maxi	mini
A	7.27	7.13



All dimensions are in mm.

COMPONENTS	MATERIALS	PLATING (µm)
BODY	BRASS	NPGR
CENTER CONTACT	BERYLLIUM COPPER	Ni2 Au1.3
OUTER CONTACT	PHOSPHOR BRONZE	NPGR
INSULATOR	PTFE+LCP	
GASKET		
OTHERS PARTS	BRASS	NPGR
-	-	-
-	-	-

Issue : 0804 C

In the effort to improve our products, we reserve the right to make changes judged to be necessary.



BULKHEAD ADAPTOR

R223.720.020

MALE-MALE

Series : MMBX

PACKAGING

Standard	Unit	Other
100	'W' option	Contact us

SPECIFICATION

09D86565W Rev03 -

ELECTRICAL CHARACTERISTICS

Impedance	50	Ω
Frequency	0-12.4	GHz
VSWR	TBD + 0,0000	x F(GHz) Maxi
Insertion loss	NA	$\sqrt{F(GHz)}$ dB Maxi
RF leakage	- (NA	- F(GHz)) dB Maxi
Voltage rating	500	Veff Maxi
Dielectric withstanding voltage	1000	Veff mini
Insulation resistance	1000	M Ω mini

ENVIRONMENTAL

Operating temperature	-55 +155	$^{\circ}$ C
Hermetic seal	NA	Atm.cm3/s
Panel leakage	NA	

OTHER CHARACTERISTICS

Assembly instruction

Others :
to 6 GHz

MECHANICAL CHARACTERISTICS

Center contact retention		
Axial force – Mating end	10	N mini
Axial force – Opposite end	10	N mini
Torque	NA	N.cm mini
Recommended torque		
Mating	NA	N.cm
Panel nut	60	N.cm
Mating life	100	Cycles mini
Weight	2,8000	g

Issue : 0804 C

In the effort to improve our products, we reserve the right to make changes judged to be necessary.

